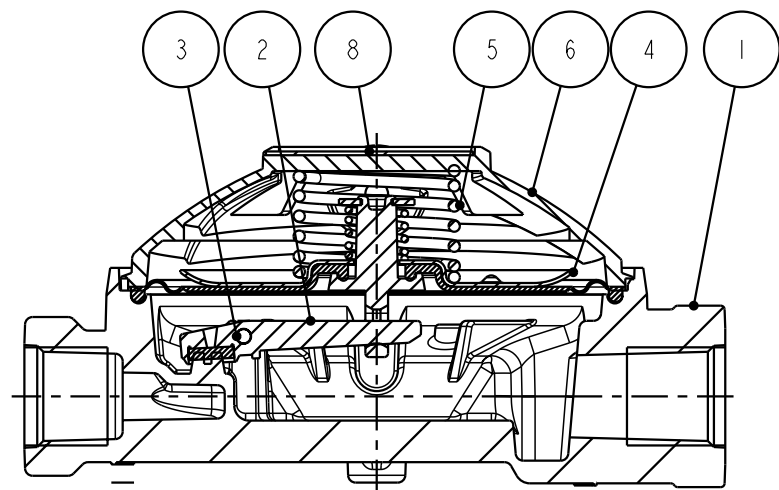
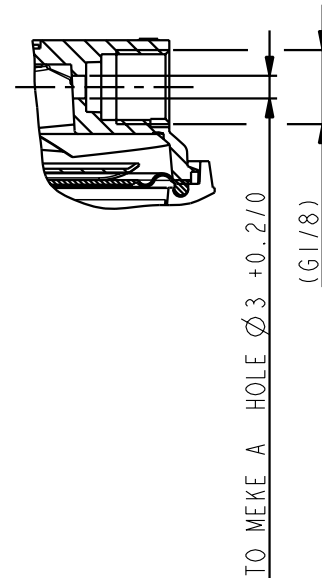
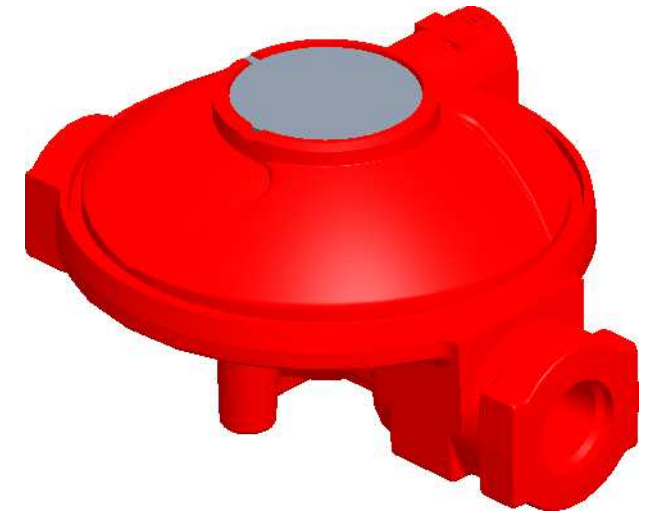


EXPEDITION BOX LABEL

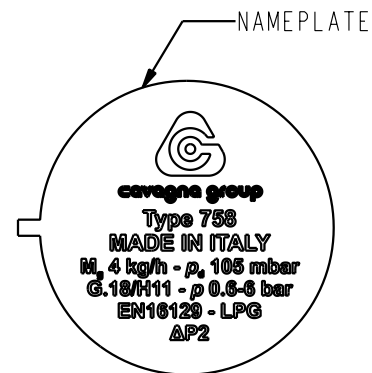
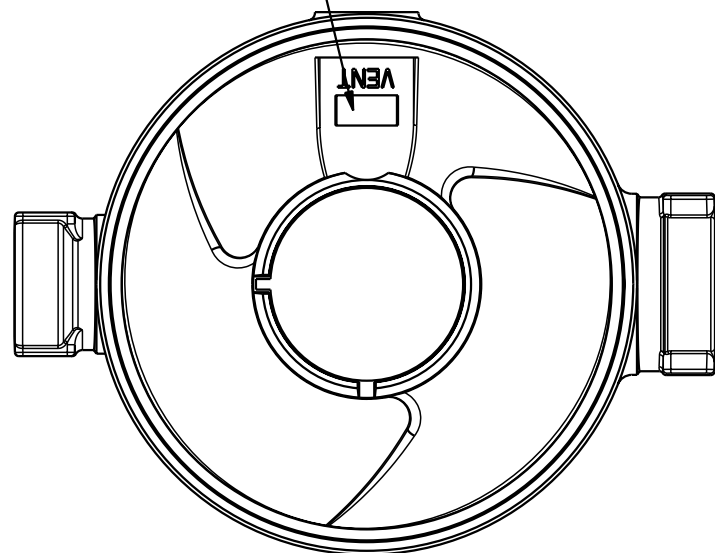
Cavagna Group S.p.A. div. RECA	
RECA Code:	75-1-890-0080
VS Code:	--
Description:	REGULATOR - MADE IN ITALY LPG - 105 mbar - 4 kg/h Inlet = 1/4 NPT FEMALE (G.18) Outlet = 1/4 NPT FEMALE (H.11)
Pcs per carton:	--
Date:	11



4kg/h FLOW GUARANTEED WITHOUT NOZZLE ONLY

ATTENTION: DO NOT DRAINING HOLE (VERTICAL HOLE)

MANUFACTURING DATE
MONTH (+4) - YEAR



NO	NO PRODUCT	DENOMINATION	Q.TY
1	00-1-022-1578	SCATOLA MOD. 75 LAVORATA (E=1/4" NPT - U=1/4" NPT)	1
2	02-1-950-0009	S/I LEVETTA STANDARD IN ZAMA	1
3	05-1-110-0001	STANDARD LEVER PIN	1
4	09-1-950-0077	S/I MEMBRANA TELATA CON V. DI S. - 100 mbar	1
5	07-1-110-0243	MOLLA DI TARATURA 100 mbar	1
6	01-1-150-0091	COPERCHIO VDS 718 SAGOMATO-lavorato	1
7	24-1-110-0032	PAINT RED (RAL 3020)	1
8	18-1-110-3438	NAMEPLATE FOR TYPE 758	1
9	23-1-021-0044	IMBALLO STANDARD IN ROTOLI (FILM)	1
10	23-1-510-0024	STANDARD BOX (R52)	1
11	34-1-210-4464	EXPEDITION BOX LABEL	1

	DENOMINATION		REGULATOR TYPE 758				LPG	105 mbar	4 kg/h
			WITH SAFETY						
RECA	MODEL	ORIFICE	INLET		OUTLET	SHARED	PROD. INT. GROUP		
	758	2.5	1/4" NPT FEMALE		1/4" NPT FEMALE	N.A.	-		
PERFORMANCE DOC.	COUNTRY	COUNTRY SPECIFIC	WEIGHT	SCALE	MODIFY FILE	PRODUCT NO		REV	
758-003	N.A.	N.A.	-	1:1	N.A.	75-1-890-0080		1	
PROD. EVOLUTION	PROJECT NO	RELEASE LEVEL	DRAWN BY	VERIFIED BY	APPROVED BY	DATE			
DEFINITIVE	DS06690	APPROVED+	SINGH L.	TOMASELLI L.	SCHLICK B.	19/02/19			